

- For limit level detection of liquids
- Media temperature up to +130°C
- Simple assembly, long service-life
- Housing and electrode is from stainless steel
- Designed with short bar electrode or dismountable rod electrode



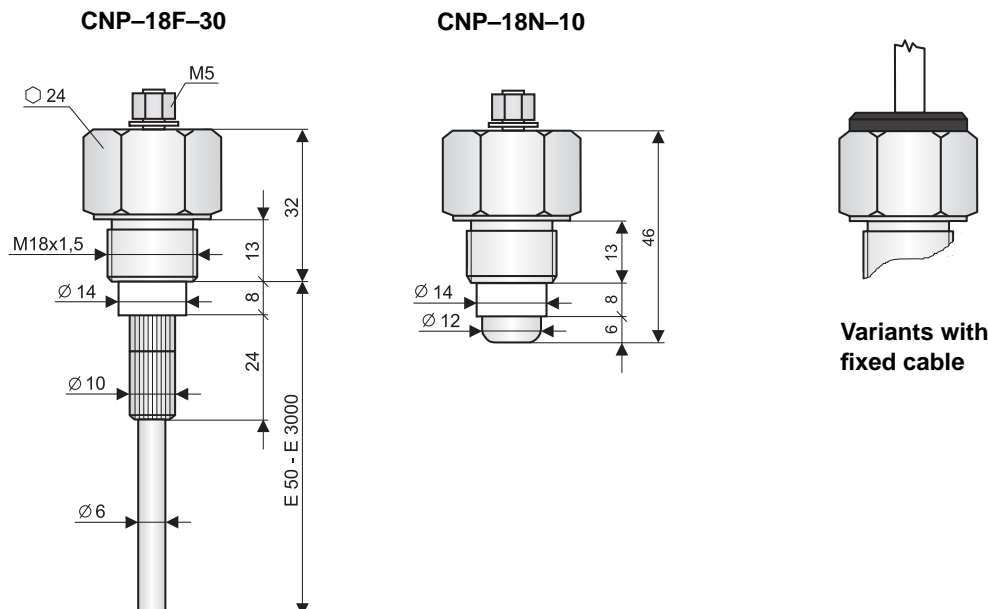
Conductive probes CNP-18 are designed for direct detection of conductive liquids level (water, water solutions). The process connection is M18x1.5 threaded connection, and electrical by fixed cable or screw connector. The probes are connected to Dinel evaluation unit, type CDSU-522 (CDSU-522-W), or other types of evaluation units suitable for connection of the conductive sensors.

### FEATURES OF VARIANTS

- CNP-18N-10**      **Short bar electrode** for horizontal mounting, fixed cable
- CNP-18F-10**      **Short bar electrode** for horizontal mounting, screw connector
- CNP-18N-30**      **Dismountable rod electrode** (from 50 up to 3000 mm) for vertical mounting, fixed cable
- CNP-18F-30**      **Dismountable rod electrode** (from 50 up to 3000 mm) for vertical mounting, screw connector

TECHNICAL SPECIFICATION		
Ambient temperature		Max. 95°C
Maximum pressure	For 25°C For 95°C	4 MPa 1.5 MPa
Cable	CNP-18N CNP-18F	PVC 2x 0.75 mm <sup>2</sup> (Screw connector)
Insulation bushing		PTFE (Polytetrafluorethylene)
Protection class (CNP-18N)		IP67
Housing material		St. steel W.Nr. 1.4305 (AISI 303)
Weight		Approx. 100 g

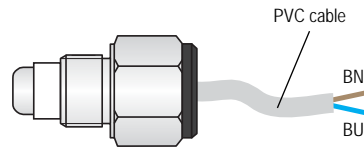
### DIMENSIONAL DRAWINGS



## ELECTRICAL CONNECTION

Variants "CNP-18N" are manufacture with 2-wire fixing cable. Housing probe is electrically connection to blue conductor (BU), probe electrode is electrically connection to brown conductor (BN). Probe variants CNP-18F are manufacture with screw connector electrically connection to housing.

For evaluate the states of conductive probes we recommended use Dinel Level control relay units (CDSU-522 or CDSU-522-W).



**Legend:**  
 BN – Brown  
 BU – Blue

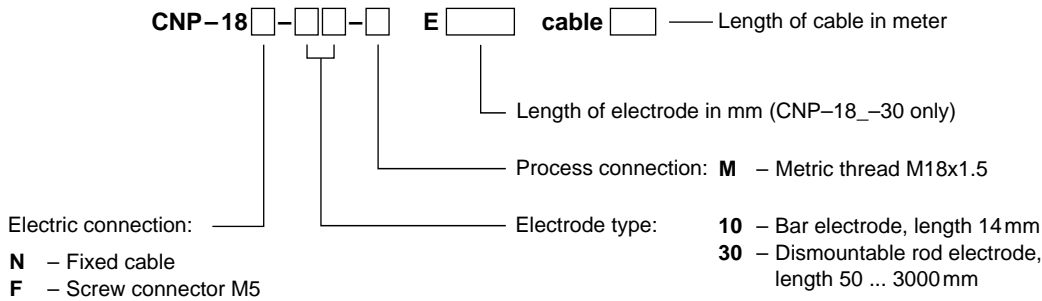
Fig. 1: CNP-18N cable connection

## ACCESSORIES

**Standard** (included in the conductive probe price)

- 2 m cable (only for CNP-18N)

## ORDER CODE



## CORRECT SPECIFICATION EXAMPLES

CNP-18N-10-M cable 10 m

(**N**) Fixed cable (length 10 m); (**10**) Bar electrode (length 14 mm); (**M**) Process connection with metric thread M18x1.5

CNP-18F-30-M E450

(**F**) Screw connector M5; (**30**) Dismountable rod electrode (length 450 mm); (**M**) Process connection with metric thread M18x1.5

CNP-18N-30-M E1200 cable 3 m

(**N**) Fixed cable (length 3 m); (**30**) Dismountable rod electrode (length 1200 mm); (**M**) Process connection with metric thread M18x1.5