

- Universal industrial data logger
- One input channel – current loop 4-20 mA
- Contains a power supply source for sensor
- Easily readable backlit LCD display that allows display configuration, including bar graph
- Large selection of displayed units, including user-defined ones
- Storage of data with user-defined period onto internal continuously overwritten flash memory with 500,000-record capacity
- Ability to export data to a microSD card manually or automatically (at intervals or when internal memory is full)
- Many transfer characteristics: linear, quadratic, radical, user-defined tables with linear approximation or conversion to volume according to specified tank parameters
- Real-time battery backup circuit
- Full user-defined relay output (alarm, two-position regulation)
- Optional expansion with communication modules
- Supply voltage 85-253 V AC



**Programmable control unit PCU-100** is used for measurement, displaying and archiving of the physical value (liquid level, pressure, flow, temperature, etc.). One transducer of physical magnitude with an analogue 4-20 mA output can be connected to the unit.

Different types of conversion (converting) characteristics (linear, square, root and user defined), may be selected, also the tank dimensions for conversion to the volume of the media may be specified. The unit is also available in the version without graphic LCD display that is replaced with the status LEDs. The unit has a battery backed real-time circuit. Archiving with user-defined period takes place on the internal flash memory with a capacity sufficient for more than 500,000 samples. Data can be exported to a micro SD card for additional processing.

User configuration is possible through a regular desktop application after connecting a PC via a micro USB connector located on the front panel of the unit. For the version fitted with an LCD display the configuration is also possible using the graphical menu and four membrane keys.

The unit is equipped with one input settings in the hardware configuration according to the type of unit. One relay output is fully user-configurable, including the possibility of two-state control. The functionality of the unit is expandable with optional modules. The units are built into the ABS/PC instrument boxes intended for wall mounting. Connection terminal is located inside the device.

### **RANGE OF APPLICATION**

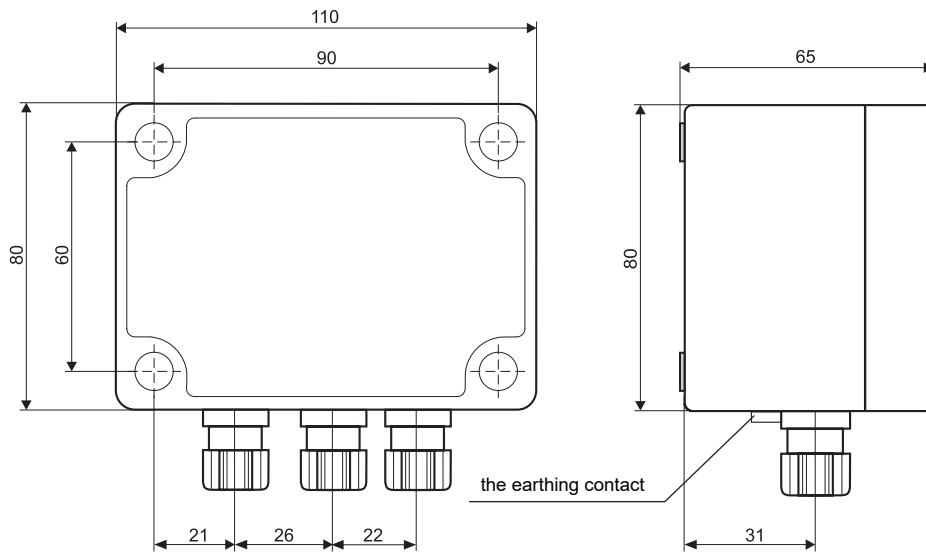
Programmable control unit can be used as a universal industrial data logger for monitoring of a measured value. Thanks to a relay output, it is also possible to use the unit for the control of the process of measured value using two-state control.

## VERSIONS OF THE UNIT

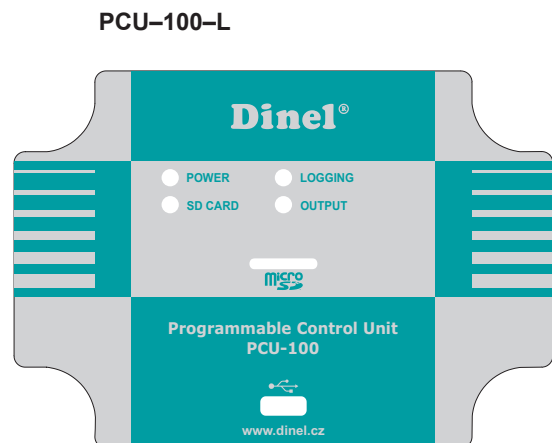
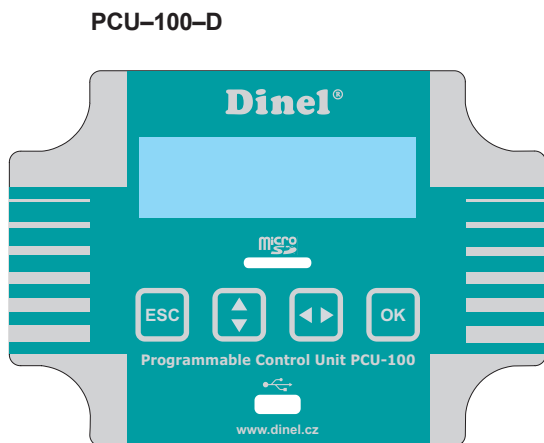
The unit is available in two versions. The makes are different by the front panel appearance. Both versions have a micro USB connector to connect a computer to configure the unit via the configuration application and micro SD card slot for the purposes of exports of the recorded data.

- **PCU-100-D** Front panel with a graphic LCD display and a membrane keypad. The entry depending on configuration (for connecting one sensor), one relay output.
- **PCU-100-L** The front panel without an LCD display with status LEDs. The entry depending on configuration (for connecting one sensor), one relay output

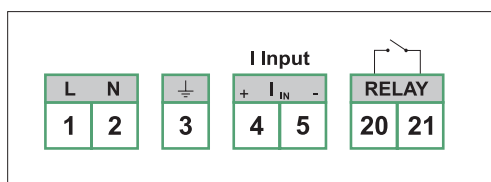
## DIMENSIONAL DRAWINGS



## FRONT PANEL AND TERMINAL PLATE



### Terminal plate: PCU-100-X-I



Terminal No.	
1	L (85-253 VAC)
2	N (85-253 VAC)
3	⊥ Functional grounding
4	Current input +
5	Current input -
20	RE 1 (100 mA / 250 VAC)
21	RE 1 (100 mA / 250 VAC)

## TECHNICAL PARAMETERS

### BASIC TECHNICAL DATA

Supply voltage	85 - 253 V AC
Rated power consumption	6 VA
Outlet	1 × SSR relay, max. 250 V AC / 100 mA
Inlet	active current loop (4 - 20 mA) power supply 24 V +/- 10%, serial impedance <110 Ω
Measuring accuracy	+/- 0,1%
Display type	graphical LCD 132×32px with backlight
Control	Foil keypad - 4 buttons, PC program - connect the micro USB
Internal memory size	min. 500,000 records
Archiving Period	user adjustable (1 sec to 8 hours)
The menu language	Czech, English
Dimensions	110×80×65 mm
Weight	320g
Housing - material	ABS/PC
Protection class	IP 65
Ambient working temperature	-25°C to +50°C

### ELECTRICAL PARAMETERS OF THE RELAY OUTPUT

Maximum switched voltage	±50 V DC / 230 V AC
Max. switched current	±120 mA DC / 80 mA AC
Maximum resistance is in the closed state	30 Ω
The maximum current flowing through the opened contacts	1 μA (U = 100 V)
Insulating Voltage	5 kV AC (RMS)

## MECHANICAL ASSEMBLY

- A number of evaluation units PCU-100-X is designed to be installed on a wall using four mounting screws or bolts (hereinafter referred to as "the screws").
- When installing the device, it is first necessary to withdraw the transparent polycarbonate housing of the front panel that is held in place by 4 plastic screws. The mounting holes designed for screws for attaching to the wall are located under the plastic screws. Using the screws, the unit is fixed in the required position on the wall. Now, it is possible to connect the cables to the terminals.
- Then, return the transparent cover to the place on the front panel and its plastic screws are sufficiently tightened to achieve full coverage.
- The prescribed tightening torque is 3 Nm.

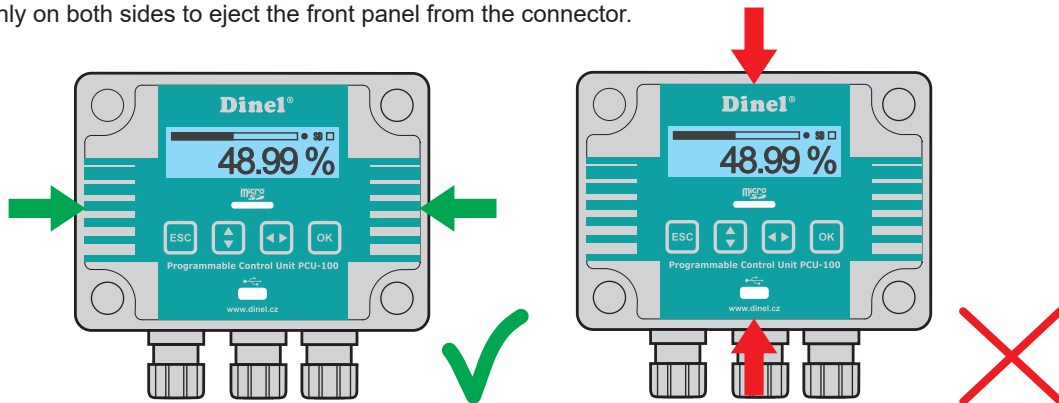


Be extremely careful when placing the cover in place. It is not possible to settle the front cover arbitrarily, there are located protrusions on the bottom of the housing and on the body of the boxes. At bad settlement, these protrusions may prevent the full engagement of the seal and the achievement of full coverage.

## ELECTRICAL CONNECTION

The electrical connection is made to the terminal block of the device. For an access to the terminal block, it is required:

1. Remove the transparent front polycarbonate housing (see chapter Mechanical assembly)
2. Grip the front panel on the sides by the grips intended for this purpose (see figure below)
3. Pull evenly on both sides to eject the front panel from the connector.



**Electrical connection can only be made in a voltage-free state!**

The temperature of the internal components of the unit may under specific conditions exceed a temperature of 60°C after a longer period of time in service. Take care when handling.

- The device may only be connected to the power supply via an easy to reach switch with marked turned off/on positions and must be protected by a fuse or circuit breaker with a value of max. 16 A!



**The switch or circuit breaker used as the disconnect device must be in accordance with the IEC60947-1 and IEC60947-3, must be marked and must not be in the network inlet.**

- The used connecting cables must be of circular cross-section of the prescribed diameter (2.5 - 6.5 mm). The connection cable must be according to the specifications of the manufacturer rated to the operating voltage (85 - 253 VAC) and the current load corresponding to the rated wattage (6 VA) at this voltage. The insulation material must comply with the operating voltage and endure the ambient temperatures of up to 70 °C. In the case, there is no cable in the penetration, the penetration must be fitted with a plug. Cable grommets must be tightened to the specified torque (3 Nm).

## WIRING CONNECTIONS

Power supply inlet	power supply AC lead "L" to the terminal No.1 and lead "N" to the terminal No.2.
Connections of input equipment	current loop "+" to terminal No. 4 and "-" to No. 5
Relay output (galvanically separated solid state relay - SSR))	the connection to the terminals No.6 and No.7.



*The external power supply is not connected*

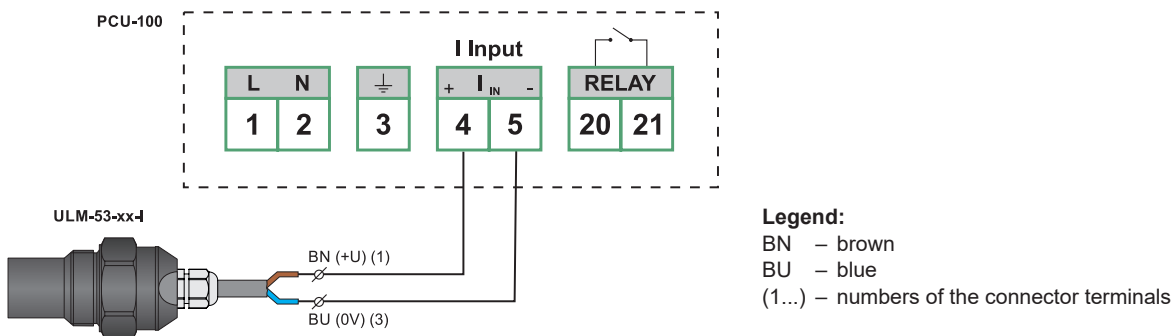
- Grounding wire connected to the unit serves always as the functional ground to improve the assembly resistance against EM interference and does not fulfil the protective function. Connection of a functional earth to the unit is possible in one of the two ways while we are choosing the way that allows connection the ground wire on a shorter route:
  1. We will connect the grounding wire inside the unit to the terminal number three where it is assumed to bring the earthing wire to the unit within the power cable.
  2. The grounding wire will be connected to the external earth terminal of the device, which is located on the bottom of the box together with outlets.



**The grounding wire is always attached only in one place by using the method 1 or 2. It is never attached in both places at the same time.**

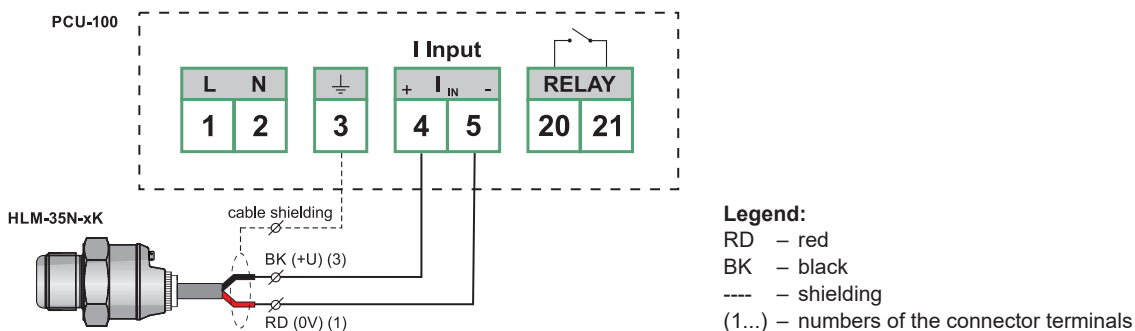
### Example connection:

An example of the PCU-100-X-I unit connection with the level sensor ULM-53-xx-I is shown here.



*The level transmitter ULM-53-XX-I may be replaced by any other sensor with current output.*

### Example of a circuit with shielded cable



## SETTINGS AND READING OF DATA

- The unit can be set using a configuration application that can be freely downloaded from the Dinel website. For connecting the unit to the computer, there is a microUSB port on the unit's front panel.
- The unit version with an LCD display (PCU-100-D) can also be fully set using a graphic menu controlled by four membrane keys.
- The logged data from the internal memory of the unit can be exported to a micro SD card for additional processing. For access to the slot for memory card insertion, it is necessary to withdraw first the transparent polycarbonate housing of the front panel that is held in place by 4 plastic screws (see manual chapter Mechanical Assembly).
- In the default configuration export of data to the SD card will take place immediately after inserting a memory card into your device. This behaviour is possible to modify in the configuration and run data export manually through the menu (see manual chapter 9.5.2 Automatic export of data on the SD card) or configuration application of the unit.
- The unit can also be configured for automatic export of the data to the SD card, whether periodically or when the internal memory is full (see manual chapter 9.5.3 Configuration of the backup mode). For the functioning of these automatic backups, it is necessary to keep the memory card inserted in the unit. After the completion of the work with the data, it is necessary to return the transparent polycarbonate housing of the front panel back on its place and properly tighten the screws to achieve full coverage.

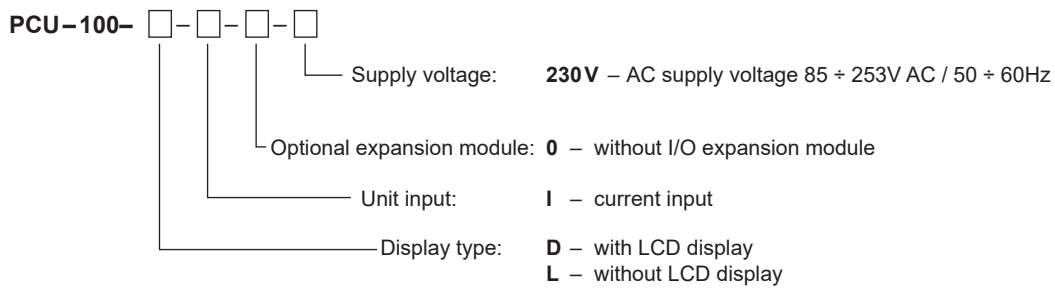
**⚠ Be extremely careful when placing the cover in place. It is not possible to settle the front cover arbitrarily, there are located protrusions on the bottom of the housing and on the body of the boxes. At bad settlement, these protrusions may prevent the full engagement of the seal and the achievement of full coverage.**

- The data are stored on a memory card in CSV format. Path to the stored file will be as follows: /PCU-100/SNXXXXXX/DATA\_YYY.CSV, where XXXXXX is the serial number of the unit and YYY sequence number of the file. Up to 999 files with exported data can be saved for each unit of the PCU-100 without overwriting the previous file.

*The delimiter in a CSV file is dependent on the selected menu language. EN: “,” CZ: “;”*

## ORDER CODE

---



## CORRECT SPECIFICATION EXAMPLES

---

PCU-100-D-I-0-230V

(D) version with display; (I) current entry; (0) without the expanding I/O module; (230V) power supply voltage 230 V.

## SAFETY, PROTECTIONS, COMPATIBILITY AND EXPLOSION PROOF

---

The PCU-100 unit is protected by an internal blow fuse. The current unit input is protected against short circuit.

The electrical equipment of the protection class II. Electrical safety according to EN 61010-1.

The electromagnetic compatibility is ensured by compliance with standards EN 55011, EN 61326-1, EN 61000-3-, EN 61000-3-2, -3-3, -4-2 (4 kV/8 kV), -4-3 (10 V/m), -4-4 (1 kV /2 kV), -4-5 (2 kV), -4-6 (10 V) a -4-11.

version 11/2018