

Features

- for liquids limit level sensing on non-conductive (glass or plastic) gauge-pipes and on tubes
- miniature performance in plastic enclosure
- sensitivity adjustment
- LED indication
- media temperature up to +90°C
- 2-wire connection directly to relay circuit or to binary input of PLC
- variants with fixed cable (var. A) or with a connector (var. C)



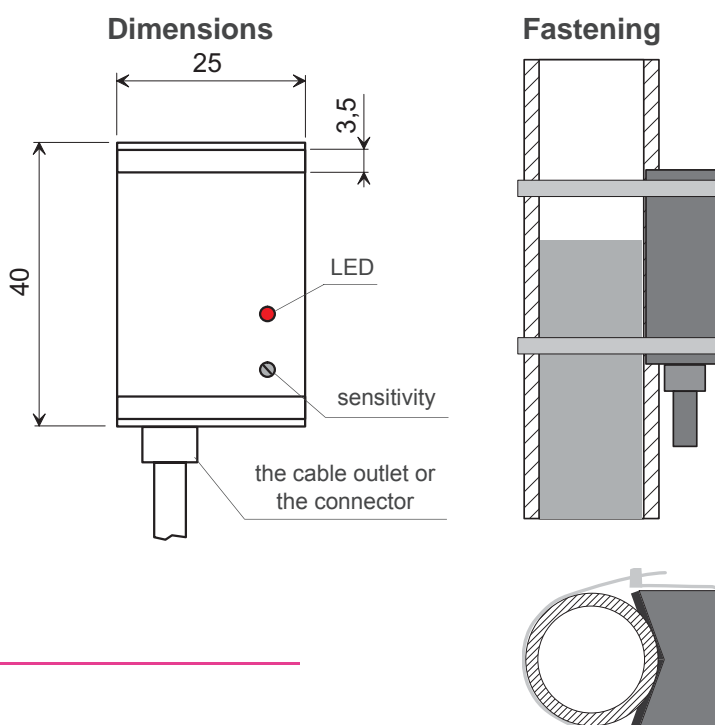
Description

Capacitive level switch GPLS-25 is intended for liquid (conductive and non-conductive) level detection on glass or plastic gauge-pipes.

It can be mounted in vertical position - electrical connection down.

Onto the gauge-pipe it is fastened by means of 2 common used plastic strips (width 2,5mm) 2 pcs of which are standard accessory to each sensor.

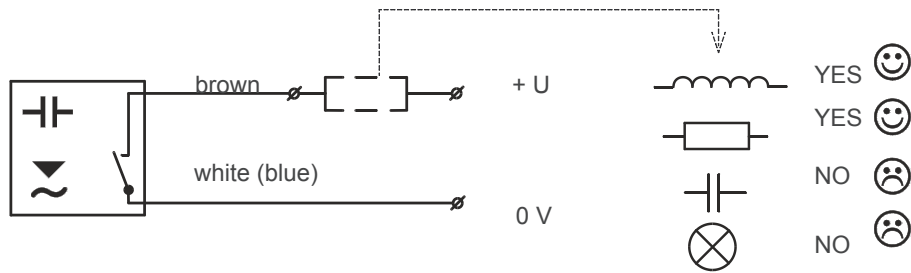
The sensor state is indicated by LED. The sensitivity is adjustable by a trimmer located at front panel of the sensor.



Technical data

Type	GPLS-25N
Supply voltage	8 ÷ 30 V DC
Quiescent supply current - OFF state	max. 0,5 mA
Max. switching current	60 mA
Max. remanent voltage - ON state	5 V
Output - 2wire switch	normally open (SO) / normally closed (SC)
Max. switching frequency	2 Hz
Outer diameter of used tube	15 to 50 mm
Ambient temperature range	-20 to +80 °C
Max. temperature at the tube surface	-20 to +90 °C
Housing material	plastic (POM)
Protection degree	IP 65
Cable (type A)	PVC 2 x 0,35 mm ² standard 2 m (max. 15m)
Weight (incl. 2 m cable)	c. 40 g
Ochrana proti přepólování napájení, proudovému přetížení a zkratu na výstupu	

Connection - types of load



Notes for connection :

- 1) Electronic switch output is equipped with pulse short circuit protection. The capacitive leads (> ca. 100nF) and leads with low zero-time resistance (light bulbs) are taken as a short circuit.
- 2) It is recommended to lead the cable separately from power distribution leads and strong sources of EMI (frequency converters, electric motors).
- 3) Shielded cable is necessary to use when length of the line is longer than 30 m.

Sensitivity adjustment

The sensitivity is set by trimmer located on the front side. Clockwise turning makes the sensitivity lower, reverse direction turning makes the sensitivity higher.

Protections, safety, compatibility

The GPLS is equipped with protection against reverse polarity connection, overvoltage transients, output current overload and short circuit.

The protection against electric shock is done by safety voltage use.

EMC is ensured by performance of next requirements:

EN 55022/B, EN 61326-1, EN 61000-4-2, EN 61000-4-3, EN 61000-4-4, EN 61000-4-5, EN 61000-4-6.

Accessories

standard

to each sensor - 2 pcs of plastic fastening strips

optional (see datashhet "accessories")

- connector - ELKA ...

Order code

GPLS-25N - - **S** — output state at low level: **O** - open (lower current)
C - closed (higher current)
 electric connection: **A** - cable outlet (+ spec. of cable length)
C - connector (+ spec. of socket type)

Examples of correct specification

GPLS-25N-A-SC cable 2 m

GPLS-25N-C-SO + type of connector

Dinel, Ltd., U Tescomy 249, CZ - 760 01 Zlín, Tel.: +420-577 002 003, fax: +420-577 002 007
 E-mail: sale@dinel.cz Web: http://www.dinel.cz



QMS
ISO 9001