

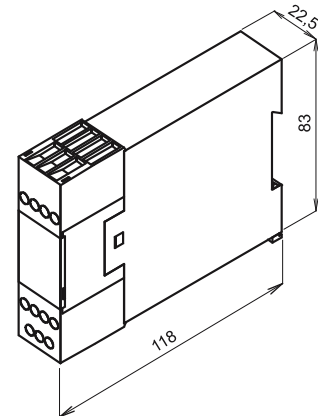
### Features

- intrinsically safe supply unit
- failure detection - short circuit or break on the line
- for supplying and state-detection of NAMUR sensors e.g. Dinel - DLS-27Xi, CPS-24Xi etc.
- location of the sensor can be in hazardous - explosive areas - up to zone 0 (acc. to EN 60079-10)
- protection classification  $\text{Ex II(1)G[EEXia]IIC}$
- selectable switching logic
- certified according to EN 50020
- potential free relay outputs
- installation on DIN-rail 35 mm

### Technical data

Nominal supply voltage	230V / 50Hz
Allowed tolerance of supply voltage	$\pm 10\%$
Nominal power demand	3,6 VA
Output voltage - no-load	typ. 8,6 V DC
Output current treshold	1,55 mA ( $\pm 0,1$ mA)
Line fault detection currents	$< 0,1$ mA $> 6$ mA
Maximum output voltage	$U_o$ 9,6 V ss
Maximum output current - short circuit	$I_o$ 10,2 mA
Maximum output power	$P_o$ 24,5 mW
Max. output short circuit time	unlimited
Max. external entity parameters:	
	$C_0 = 1,8$ $\mu\text{F}$ $L_0 = 150$ mH
Relay characteristic	- max. load current      2 A AC
	- max. switching voltage      250 V
	- max. switching power      100 VA
Max. switching frequency	- at max. load      360/h
Contact life - at max. load	- cycles      min. $30 \times 10^6$
Working areas	acc. to EN 60 079-10      non-explosive
Ambient temperature	-20 to $+55^\circ\text{C}$
Protection degree	IP 20
Housing material	polycarbonate
Max. conductor size	$1 \times 2,5\text{mm}^2$

### Dimensions



### Function table

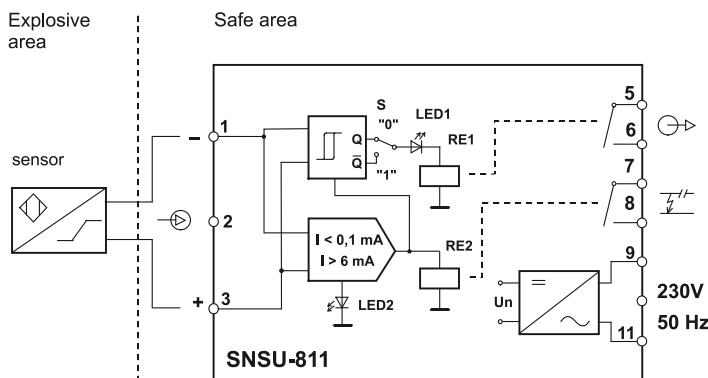
input	S*	output / LED1	LED2
$I < 0,1\text{mA}$	0	—	—
	1	—	—
$I > 0,1\text{mA}$ $I < 1,55\text{mA}$	0	—	—
	1	—	—
$I > 1,55\text{mA}$ $I < 6\text{mA}$	0	—	—
	1	—	—
$I > 6\text{mA}$	0	—	—
	1	—	—

S\* - upper switch on front panel

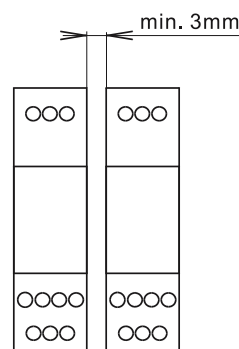
„0“ - positive function  
„1“ - negative function

LED1 - yellow (STATE) - state of output contacts  
- shines = contact closed - terminals 5, 6  
LED2 - red (symbol  $\frac{I}{I}$ ) - failure state  
- shines = contact open - terminals 7, 8

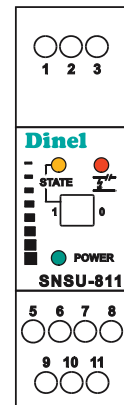
### Connection drawing



### Mounting space demands



### Front view



Approval: FTZÚ - AO 210 Ostrava - Radvanice

Certificate No.: FTZÚ 02 ATEX 0211X

Dinel, s.r.o., Na Výsluní 541, CZ - 760 01 Zlín, tel., fax: +420-577 211 764, tel.: +420-577 432 220  
E-mail: [dinel@dinel.cz](mailto:dinel@dinel.cz) web: <http://www.dinel.cz>