

TN-28

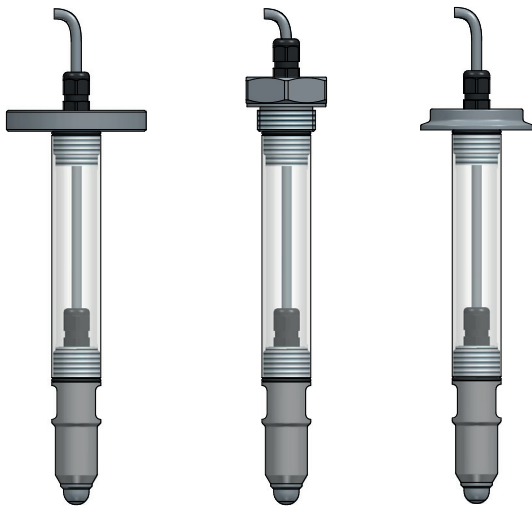
Dinel®

TUBULAR EXTENDER

Accessories for RFLS-28
high-frequency level sensors



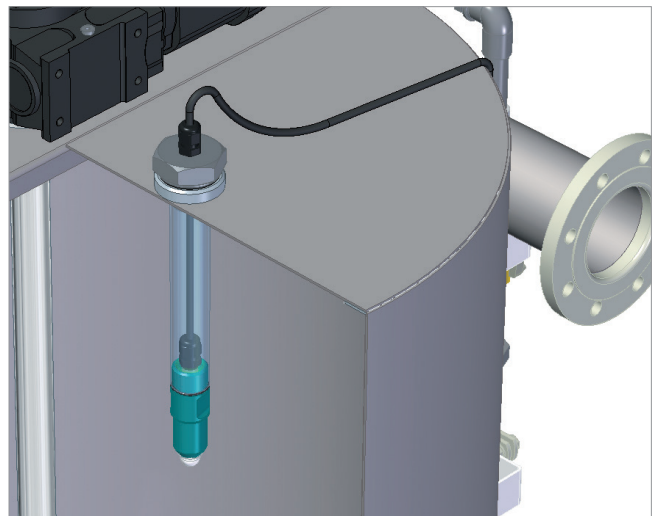
CE



flange

G1" thread

Tri-Clamp



- The tubular extender is used for vertical mounting of the RFLS-28 sensor in tanks, vessels and sumps
- Choice from three types of process connection: flange, G1" thread or Tri-Clamp

Standard material performance

Tube 28 x 2.5		stainless steel W. No. 1.4404 (AISI 316 L)
Process connection	Flange mounting	stainless steel W. No. 1.4301 (AISI 304)*
	G1" thread	stainless steel W. No. 1.4301 (AISI 304)*
	Tri-Clamp	stainless steel W. No. 1.4404 (AISI 316 L)
Seal under flange / threaded mounting		AFM 38
O-ring		NBR / EPDM / FPM
Cable gland		PA / NBR plastics
Minimum tubular extender length		100 mm
Maximal tubular extender length		3000 mm**

* By agreement, it is possible to choose stainless steel W. No. 1.4404 (AISI 316 L).

** If there is a stirrer in the tank, it is necessary to consult the length of the tubular extender with the manufacturer.

PROCESS CONNECTION OF TUBULAR EXTENDER

TN-28-P (flange)	TN-28-Z (G1" thread)	TN-28-CL (Tri-Clamp)

* If there is a stirrer in the tank, it is necessary to consult the length of the tubular extender with the manufacturer.

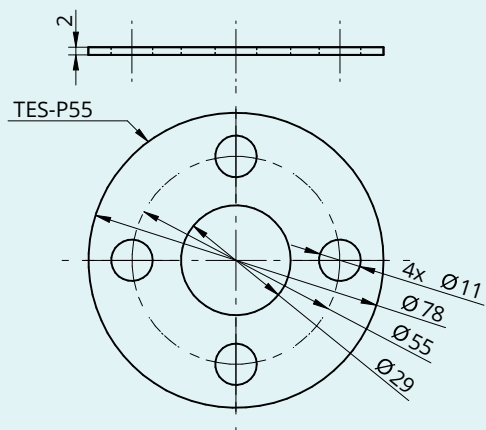
We also offer the option of flanges made-to-order.

TYPES OF CABLE GLANDS

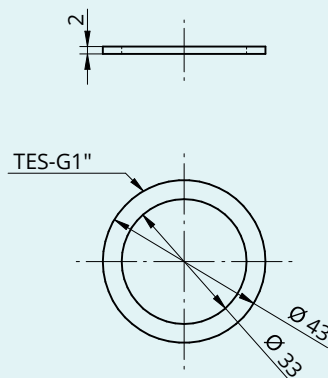
B	V	H
<p>with a standard cable gland</p>	<p>with a plastic cable gland with spiral relief – for cables under an increased mechanical stress</p>	<p>with a cable gland for protecting hoses – for use outdoors or in places with high humidity</p>

SEAL

under flange



under threaded mounting



ORDER CODE

TN-28

PROCESS CONNECTION

- P** flange, AFM gasket option (extra charge, see the technical data sheet for accessories)
- Z** G1" thread, 1 pc gasket AFM (included)
- CL** Tri-Clamp

O-RING

- B** NBR O-ring
- E** EPDM O-ring
- V** FPM O-ring

ELECTRICAL CONNECTION

- B** plastic cable gland
- V** cable gland with spiral
- H** cable gland for protecting hose

TUBE LENGTH

- L** length in mm

TN-28 - P - B - B - L300

EXAMPLE OF CODING

Dinel, s. r. o.
 U Tescomy 249, 760 01 Zlín, Czech Republic
 tel.: +420 577 002 003
 email: sale@dinel.cz

www.dinel.cz

version:
07/2020

