

WELD FLANGES – STAINLESS STEEL NN, CARBON STEEL ON

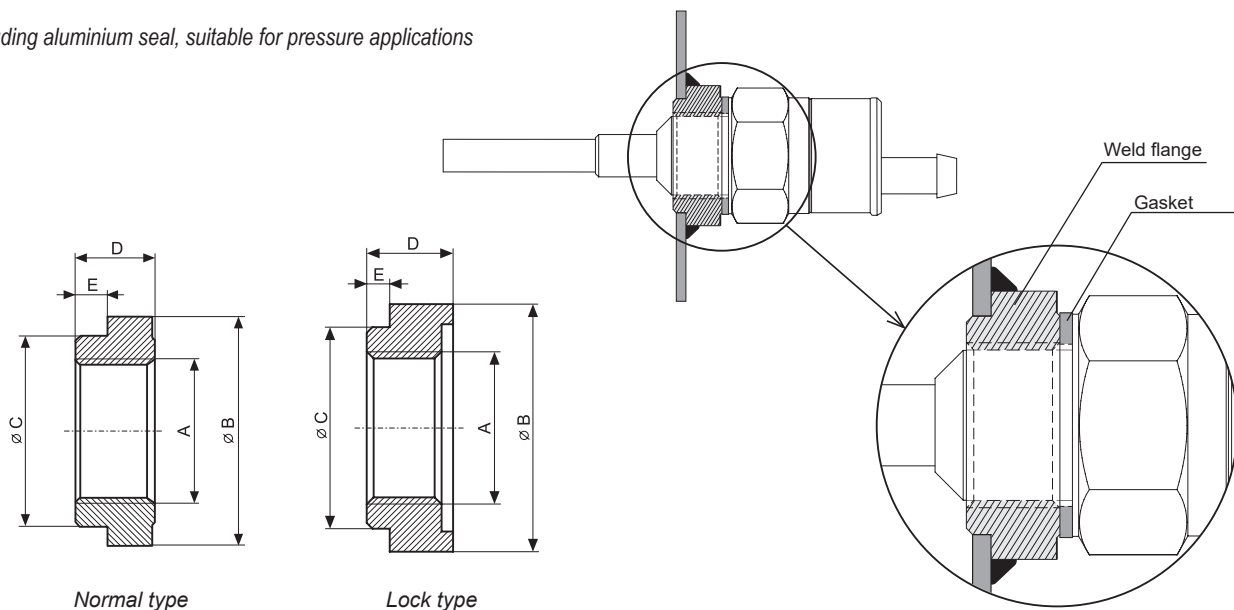
For mechanical fixing of sensors with thread.

For type: **CLS-23; DLM-35; DLS-27; DLS-35; HLM-35;**
RFLS-35; TFS-35; ULM-53-01; ULS-53-01;
CNP-18



TYPES OF FLANGES								
Type	For sensors	A	B (mm)	C (mm)	D (mm)	E (mm)	Material	Note
ON-18x1,5	CLS-23; CNP-18	M18x1,5	29,5	25	13	4	W. Nr. 1.0038 (AISI 1020)	
NN-18x1,5	CLS-23; CNP-18	M18x1,5	29,5	25	13	4	W. Nr. 1.4301 (AISI 304)	
ON-20x1,5	CLS-23	M20x1,5	29,5	25	13	4	W. Nr. 1.0038 (AISI 1020)	
NN-20x1,5	CLS-23	M20x1,5	29,5	25	13	4	W. Nr. 1.4301 (AISI 304)	
ON-27x2	DLM-35; DLS-27; DLS-35; HLM-35; RFLS-35	M27x2	43	35	15	5	W. Nr. 1.0038 (AISI 1020)	
NN-27x2	DLM-35; DLS-27; DLS-35; HLM-35; RFLS-35	M27x2	43	35	15	5	W. Nr. 1.4301 (AISI 304)	
ON-G3/8	CLS-23; CNP-18	G3/8"	29,5	25	13	4	W. Nr. 1.0038 (AISI 1020)	
ON-G3/8-Z	CLS-23; CNP-18	G3/8"	29,5	25	13	4	W. Nr. 1.0038 (AISI 1020)	With lock*
NN-G3/8	CLS-23; CNP-18	G3/8"	29,5	25	13	4	W. Nr. 1.4301 (AISI 304)	
NN-G3/8-A	CLS-23; CNP-18	G3/8"	29,5	25	13	4	W. Nr. 1.4571 (AISI 316 Ti)	
NN-G3/8-Z	CLS-23; CNP-18	G3/8"	29,5	25	13	4	W. Nr. 1.4301 (AISI 304)	With lock*
ON-G1/2	CLS-23; RFLS-35; TFS-35; CNP-18	G1/2"	29,5	25	13	4	W. Nr. 1.0038 (AISI 1020)	
NN-G1/2	CLS-23; RFLS-35; TFS-35; CNP-18	G1/2"	29,5	25	13	4	W. Nr. 1.4301 (AISI 304)	
ON-G3/4	DLM-35; DLS-27; DLS-35; HLM-35; RFLS-35; ULM-53-01; ULS-53-01	G3/4"	43	35	15	5	W. Nr. 1.0038 (AISI 1020)	
ON-G3/4-Z	DLM-35; DLS-27; DLS-35; HLM-35; RFLS-35; ULM-53-01; ULS-53-01	G3/4"	43	35	15	5	W. Nr. 1.0038 (AISI 1020)	With lock*
NN-G3/4	DLM-35; DLS-27; DLS-35; HLM-35; RFLS-35; ULM-53-01; ULS-53-01	G3/4"	43	35	15	5	W. Nr. 1.4301 (AISI 304)	
NN-G3/4-A	DLM-35; DLS-27; DLS-35; HLM-35; RFLS-35; ULM-53-01; ULS-53-01	G3/4"	43	35	15	5	W. Nr. 1.4571 (AISI 316 Ti)	
NN-G3/4-Z	DLM-35; DLS-27; DLS-35; HLM-35; RFLS-35; ULM-53-01; ULS-53-01	G3/4"	43	35	15	5	W. Nr. 1.4301 (AISI 304)	With lock*

* Including aluminium seal, suitable for pressure applications



WELD FLANGES – STAINLESS STEEL NN, CARBON STEEL ON

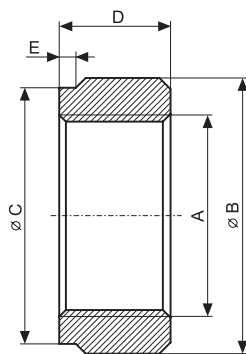
For mechanical fixing of sensors with thread.

For type: **CLM-36; CLM-40; CLS-53; DLM-35; DLS-35;**
GRLM-70; ULM-53; ULS-53; ULM-70

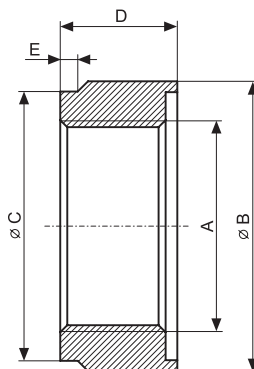


TYPES OF FLANGES								
Type	For sensors	A	B (mm)	C (mm)	D (mm)	E (mm)	Material	Note
ON-36x2	CLM-36	M36x2	49,5	46	20	3	W. Nr. 1.0038 (AISI 1020)	
ON-36x2-Z	CLM-36	M36x2	49,5	46	20	3	W. Nr. 1.0038 (AISI 1020)	With lock*
NN-36x2	CLM-36	M36x2	49,5	46	20	3	W. Nr. 1.4301 (AISI 304)	
NN-36x2-Z	CLM-36	M36x2	49,5	46	20	3	W. Nr. 1.4301 (AISI 304)	With lock*
ON-G1	CLM-36; CLM-40; DLM-35; DLS-35; GRLM-70; ULM-53-02; ULS-53-02; ULM-70-02	G1"	49,5	46	18	3	W. Nr. 1.0038 (AISI 1020)	
NN-G1	CLM-36; DLM-35; DLS-35; GRLM-70; ULM-53-02; ULS-53-02; ULM-70-02; CLM-40	G1"	49,5	46	18	3	W. Nr. 1.4301 (AISI 304)	
NN-G1-A	CLM-36; DLM-35; DLS-35; GRLM-70; ULM-53-02; ULS-53-02; ULM-70-02; CLM-40	G1"	49,5	46	18	3	W. Nr. 1.4571 (AISI 316 Ti)	
ON-G1,5	CLS-53; ULM-53-06; ULS-53-06; ULM-70-06	G1½"	59,5	56	18	3	W. Nr. 1.0038 (AISI 1020)	
NN-G1,5	CLS-53; ULM-53-06; ULS-53-06; ULM-70-06	G1½"	59,5	56	18	3	W. Nr. 1.4301 (AISI 304)	

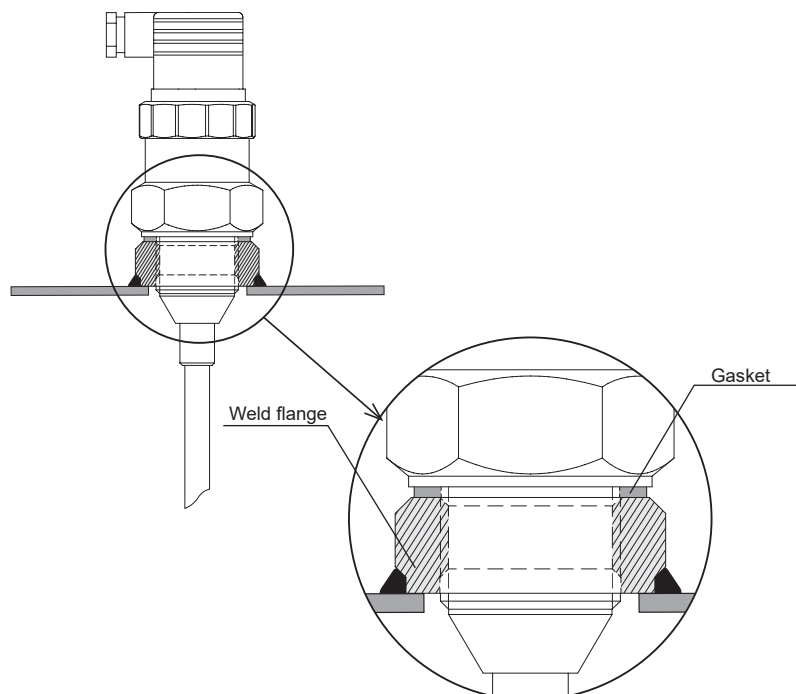
* Including aluminium seal, suitable for pressure applications,



Normal type



Lock type

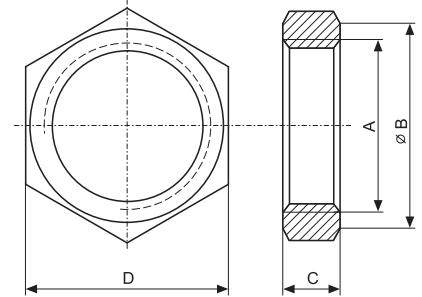
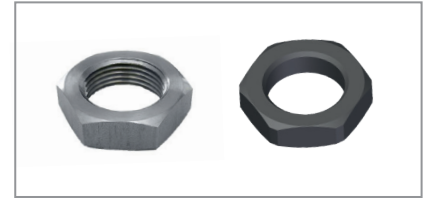


FIXING NUTS – STAINLESS STEEL UM, PLASTIC PUM AND FLANGES

For mechanical fixing of sensors in the cases when the use of weld flanges is not possible.

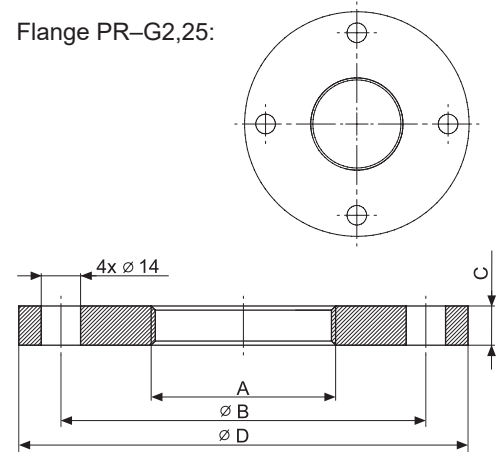
Material: UM – W. Nr. 1.4301 (AISI 304); PUM - plastic PP

For type: CLM-36; CLM-40; CLS-23; CLS-53; DLM-35;
DLS-27; DLS-35; GRLM-70; HLM-35;
RFLS-35; TFS-35; ULM-53; ULS-53; ULM-70;
CNP-18



TYPES OF FIXING NUTS AND FLANGES					
Type	For sensors	A	B (mm)	C (mm)	D (mm)
UM-18x1,5	CLS-23; CNP-18	M18x1,5	23	8	24
UM-27x2	DLM-35; DLS-27; DLS-35; HLM-35; RFLS-35	M27x2	34	10	36
UM-36x2	CLM-36	M36x2	44	14	46
UM-G3/8	CLS-23; CNP-18	G3/8"	23	8	24
UM-G3/4	DLM-35; DLS-27; DLS-35; HLM-35; RFLS-35; ULM-53-01; ULS-53-01	G3/4"	34	10	36
UM-G1	CLM-36; CLM-40; DLM-35; DLS-35; GRLM-70; ULM-53-02; ULS-53-02; ULM-70-02	G1"	45,4	12	46
UM-G1,5	CLM-36N-40; CLS-53; ULM-53-06; ULS-53-06; ULM-70-06	G1½"	54	14	55
PUM-G3/4	DLM-35; DLS-27; DLS-35; HLM-35; RFLS-35; ULM-53-01; ULS-53-01	G3/4"	32	8	32
PUM-G1	CLM-36; CLM-40; DLM-35; DLS-35; GRLM-70; ULM-53-02; ULS-53-02; ULM-70-02	G1"	45,4	12	46
PUM-G1,5	CLM-36N-40; CLS-53; ULM-53-06; ULS-53-06; ULM-70-06	G1½"	54,8	14	55
PUM-G2,25	ULM-53-10; ULS-53-10; ULM-70-10	G2¼"	72	14	75
PR-G2,25	ULM-53-10; ULS-53-10; ULM-70-10	G2¼"	130	14	160

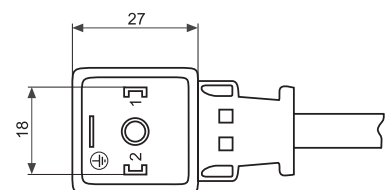
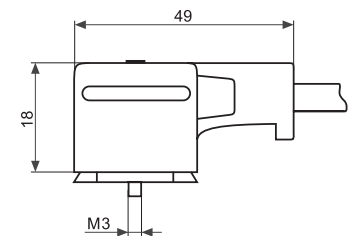
Flange PR-G2,25:



SOCKET GAN-DADE 7A AND GAN-DAEE 7A

Non-disconnectable connectors with a permanently connected PVC cable of length 5m and a locking screw.

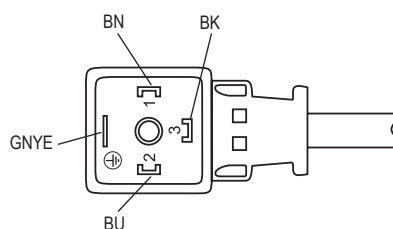
For type: CLM-36; CLS-53; ULM-53; ULS-53



TECHNICAL SPECIFICATIONS		
Rated voltage	250 V AC/DC	
Rated current	10 A	
Protection class	IP67	
Contact resistance	max. 10 mΩ	
Cable specification	GAN-DADE 7A	LiYY 3x0,75 mm ²
	GAN-DAEE 7A	LiYY 4x0,75 mm ²
Cable material	PVC (Polyvinyl chloride)	
Contact material	Cu / Sn	
Temperature range	-25 ... +80°C	

Legend:

- BN – Brown
- BK – Black
- BU – Blue
- GNYE – Green/Yellow



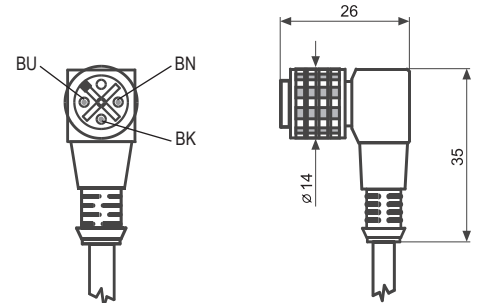
GAN-DAEE 7A (3+PE)

GAN-DADE 7A (2+PE)

SOCKET ELWIKA KV 4312

Non-disconnectable connector with a permanently connected PVC cable of length 2m or 5m and a metal cap nut.

For type: **CLS-23; CPS-24; DLM-35; DLS-27; DLS-35; HLM-35; RFLS-35; ULM-53; ULS-53**

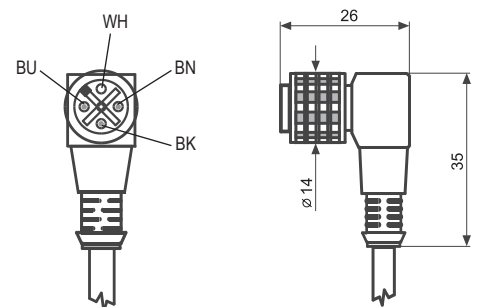


TECHNICAL SPECIFICATIONS	
Rated voltage	250 V AC/DC
Rated current	4 A
Protection class	IP68
Cable specification	LiYY 3x0,34 mm ²
Cable material	PVC (Polyvinyl chloride)
Contact material	Cu Zn / Au
Screw locking nut	M12
Temperature range	-25 ... +90°C

SOCKET ELWIKA KV 4412

Non-disconnectable connector with a permanently connected PVC cable of length 2m and a metal cap nut.

For type: **TFS-35**

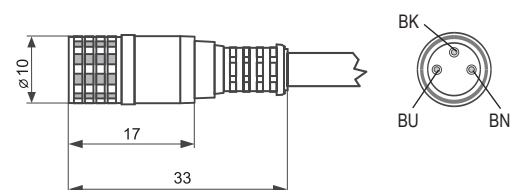


TECHNICAL SPECIFICATIONS	
Rated voltage	250 V AC/DC
Rated current	4 A
Protection class	IP68
Cable specification	LiYY 4x0,34 mm ²
Cable material	PVC (Polyvinyl chloride)
Contact material	Cu Zn / Au
Screw locking nut	M12
Temperature range	-25 ... +90°C

CONNECTOR ELKA KV 3308

Non-disconnectable connector with a permanently connected PVC cable of length 2m and a metal cap nut.

For type: **GPLS-25**



TECHNICAL SPECIFICATIONS	
Rated voltage	60 V AC/DC
Rated current	3 A
Protection class	IP68
Cable specification	LiYY 3x0,25 mm ²
Cable material	PVC (Polyvinyl chloride)
Contact material	Cu Sn / Au
Screw locking nut	M8
Temperature range	-25 ... +90°C

Legend:

BN – Brown
BK – Black
BU – Blue

SOCKET ELKA 4012 AND ELWIKA 4012

Straight and angle cable socket, disassembled, internal screw terminals, plastic coupling nut.

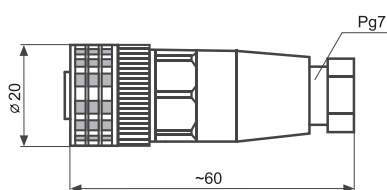
For type: **CLS-23; CPS-24; DLM-35; DLS-27; DLS-35; HLM-35; RFLS-35; TFS-35; ULM-53; ULS-53**



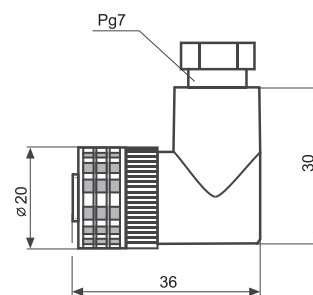
TECHNICAL SPECIFICATIONS	
Rated voltage	250 V AC/DC
Rated current	4 A
Protection class	IP67
Suitable cables	Diameter 4 – 6 mm, Max 0.75 mm ²
Coupling nut	M12
Contact material	Cu Zn / Sn
Temperature range	-25 ... +90°C



Inside of the connector



ELKA 4012



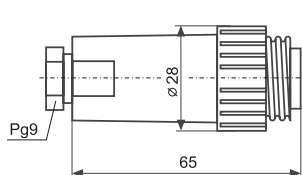
ELWIKA 4012

CABLE SOCKET CA 3 LD AND PLUG CA 3 LS, PANEL SOCKET CA 3 GD

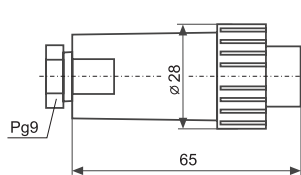
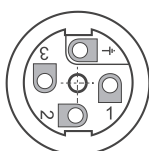
For an easy and reliable connection of longer power cables to the sensors. Coupler socket CA 3 GD is intended for installation into a panel or a switchboard cabinet. Internal screw terminals.



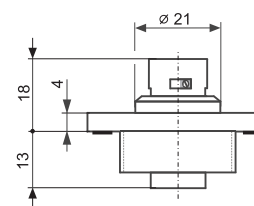
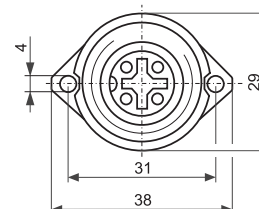
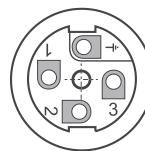
TECHNICAL SPECIFICATIONS	
Rated voltage	400 V AC / 250 V DC
Rated current	AC 16 A / DC 10 A
Protection class	IP67
Contact resistance	3 mΩ
Conductor size	max. 2,5 mm ²
Cable gland	M22
Contact material	Ag
Temperature range	-40 ... +90°C



CA 3 LS



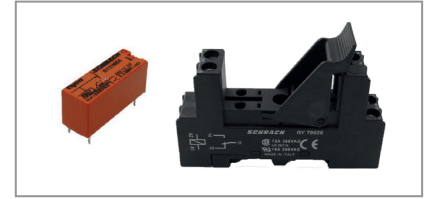
CA 3 LD



CA 3 GD

RELAYS RY 2100xx, DIN RELAY SOCKET RY 78626

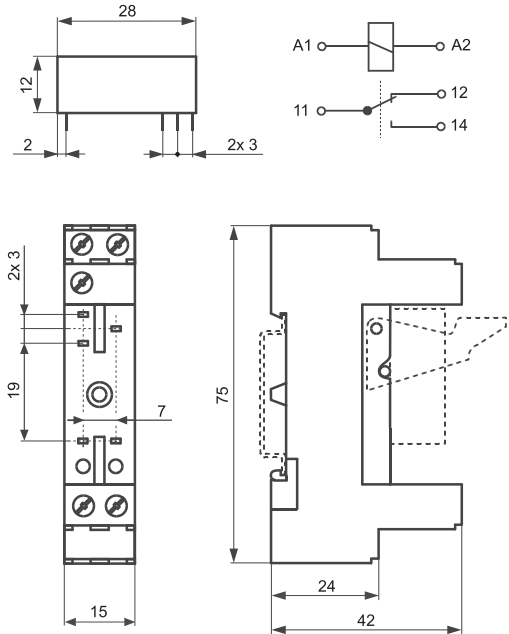
For galvanic separation of actuators or for switching higher current loads on limit sensors. Available with relay socket RY 78626 for DIN rail mounting 35 mm. Diagrams for relay connection to the individual types of sensors are provided on respective datasheets or in user manuals.



For type: CLS-23; CPS-24; DLS-27; DLS-35; FLD-48; GPLS-25; RFLS-35; TFS-35; ULM-53; ULS-53

TECHNICAL SPECIFICATIONS RELAYS		
Coil voltage	RY210024 RY210012	24 V DC 12 V DC
Coil current	RY210024 RY210012	10 mA 19 mA
Contact material	AgCdO	
Rated current	8 A (250 V AC)	
Maximum breaking capacity AC	2000 VA	
Rated frequency of operation with load	Max. 360/hour	
Mechanical endurance	3 x 10 ⁶ cycles	
Dielectric strength coil-contact circuit	5 kV	
Temperature range	-40 ... +70°C	

TECHNICAL SPECIFICATIONS RELAY SOCKET	
Dielectric strength coil-contact circuit	4 kV
Protection class	IP20
Temperature range	-20 ... +80°C



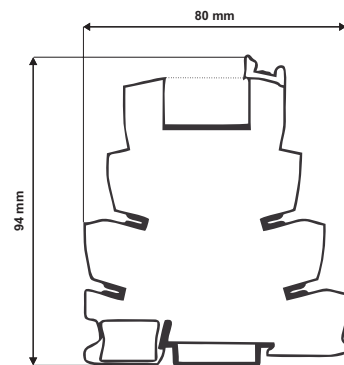
RELAYS ST3P3LB2, RELAY SOCKET 1P/12VDC

Relay ST3P3LB2 is intended for installation together with the sensor ULS-53Xi. Where the sensor is located in a zone with a explosive atmosphere. IRU-420-U together with the relay ST3P3LB2 is placed in the non-explosive area.



For type: IRU-420; ULS-53Xi

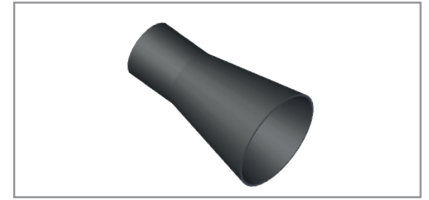
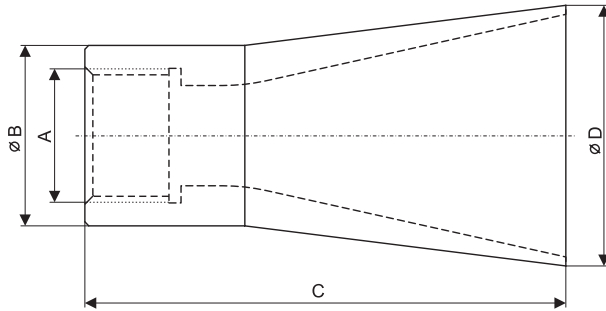
TECHNICAL SPECIFICATIONS	
Working environment (EN 60079-10, EN 60079-14)	non-explosive area
Number of contacts	1 switching
Performance contacts	simple contact
Rated current	6 A
Rated voltage / max. switching voltage	240 VAC / 400 VAC
Maximum breaking capacity AC	1500 VA
Contact material	AgSnO ₂
Rated coil voltage	12 VDC
Working range / class pickup	2 / b
Indication LED	yellow
Ambient temperature assemblies	-20...+55 °C
Protection class	IP20
Connection terminals	screw
Wire cross section: single wire, fine wire, with bootlace crimp	0,14...2,5 mm ²



HORN ADAPTER ST

For increases the radiation directivity of acoustic waves, improves reception of weak echoes (unstable level surfaces, solid materials, etc.), and reduces the risk of false reflections.

For type: ULM-53; ULS-53; ULM-70



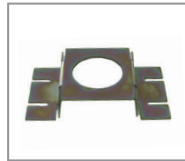
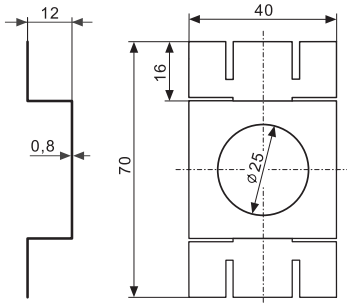
TYPES OF HORN ADAPTER

Type	For level meters	A	B (mm)	C (mm)	D (mm)	Material
ST-G3/4	ULM-53-01; ULS-53-01	G3/4"	36	100	45	PP (Polypropylene)
ST-G1	ULM-53-02; ULS-53-02; ULM-70-02	G1"	45	120	65	PP (Polypropylene)
ST-G1,5	ULM-53-06; ULS-53-06; ULM-70-06	G1½"	56	160	100	PP (Polypropylene)
ST-G2,25	ULM-53-10; ULS-53-10; ULM-70-10	G2¼"	75	180	120	PP (Polypropylene)

PLATE HOLDER PD-24-1

For fixing of the sensors CPS-24 (Include fixative strips).

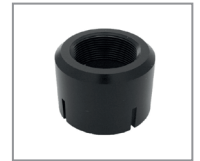
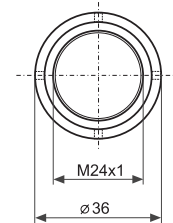
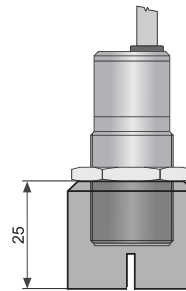
Material: W. Nr. 1.0036 Nickel plated



DISTANCE CROWN DK-24

For protection of sensor CPS-24 self-activation.

Material: POM-C (Polyoxymethylen copolymer)

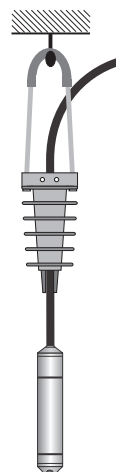
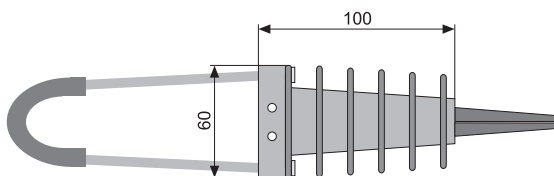


CABLE HANGER KD-60

For hydrostatic level meters HLM safety cable hanging.

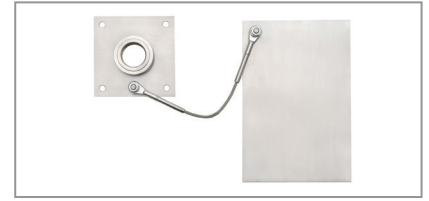
Material: plastic

For type: HLM-16N; HLM-25N; HLM-25S; HLM-25C



AUXILIARY PLATE ELECTRODE PDE

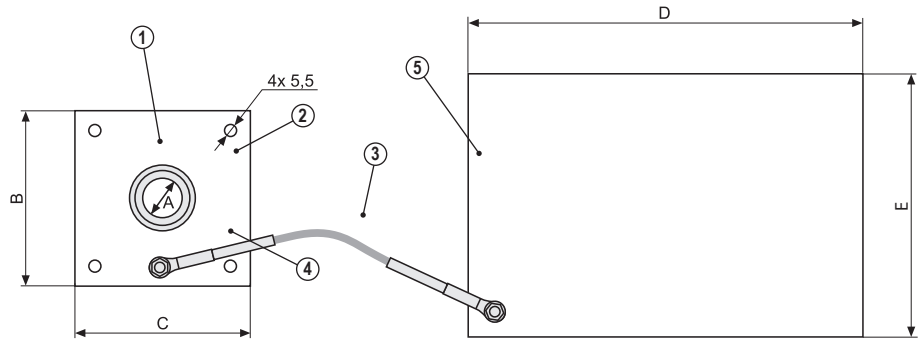
The set of auxiliary plate electrode, plate bracket with weld flange and connecting steel cable allows installation of capacitive level sensors in plastic (electric non-conductive) tanks in a vertical position. At the top wall is by 4 screws mounted plate bracket with stainless steel welding flange and the capacitive sensor (with rod electrode) is screwed into it. Plate electrode (thickness 1 mm) is fixed on outer side of the tank by means of double self adhesive layer in a position of considered sensing point. Stainless steel cable connects the plate bracket with the plate electrode. For details see the instruction manuals of the appropriate sensors.



For type: **CLS-23; DLS-27; DLS-35**

Legend:

- 1 – Welding flange for sensor
- 2 – Plate bracket
- 3 – Connecting steel cable
- 4 – Mounting hole
- 5 – Plate electrode



TYPES OF AUXILIARY PLATE ELECTRODE PDE								
Type	For sensors	A	B (mm)	C (mm)	D (mm)	E (mm)	Material	Steel cable length (cm)
PDE-18	CLS-23	NN-18x1,5	80	80	180	120	W. Nr. 1.4301 (AISI 304)	50; 100; 150
PDE-27	DLS-27; DLS-35	NN-27x2	90	90	180	120	W. Nr. 1.4301 (AISI 304)	50; 100; 150

INFRARED REMOTE CONTROLLER RCW-1

It is used for setting the parameters of the programmable display unit without requiring the removal of the front cover.

For type: **PDU-420-W**

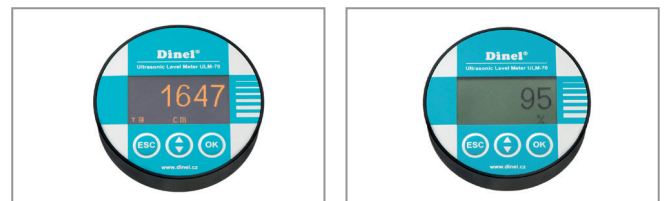


TECHNICAL SPECIFICATIONS	
Power supply voltage	6 V DC (4 pc alkaline batteries LR44)
Operation range	max. 5 m
Operating / Storage temperature	0 ... +50°C / -10 ... +70°C
Dimension (W x H x D)	38 x 65 x 15 mm

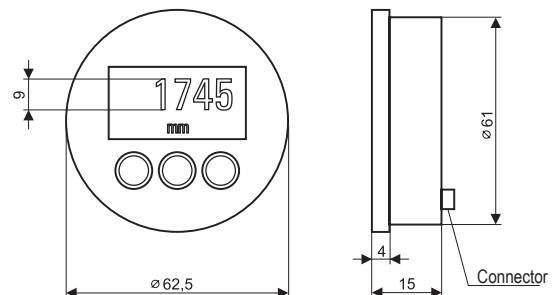
DISPLAY UNIT DM-70-D (OLED); DM-70-C (LCD)

For configuration and local display of currently measured values on the ULM-70 type water level meter. Contains an OLED or LCD display and 3 control buttons for performing settings. Electrical power supply and data communications via a system connector by which they are internally connected with the respective water level meter.

For type: **GRLM-70; ULM-70; CLM-70**



TECHNICAL SPECIFICATIONS	
Supply voltage	18 ... 36 V DC
Display type	Matrix OLED or LCD
Display resolution	128 x 64 pixel
Character height	9 mm (5 characters)
Display colour	Yellow (OLED), White (LCD)
Button type	Low-lift, membrane
Temperature range	-30 ... +70°C (OLED), -20 ... +70°C (LCD)
Electrical connection	DIP 2x 5 pins
Weight	46 g



CABLE PK-70-1

Extension cable display length 1m.

For type: **GRLM-70; ULM-70**



CONVERTOR URC-485

For connection sensor with output RS 485 / Modbus (GRLM- 70, ULM- 70, ULM-53, EFM-115, FCU-400, MGU-800, PDU-4xx-P, PDU- 420- W) and PC with special software (Basic Scada level). Power supply: from USB interface (4,4 ... 5,25 VDC). Galvanic isolation (optoisolation) between an USB interface and RS-485 lines. Ambient temperature range: 0°C ... +50°C.

For type: **GRLM-70; ULM-70; ULM-53; EFM-115;**
FCU- 400; MGU- 800; PDU-4xx-P; PDU-420-W



CONVERTOR UCC-01

For connection sensor with output CAN (CLM-40) and PC with special software (Basic Scada fuel). Power supply: from USB interface (4,4 ... 5,25 VDC). Ambient temperature range: -40° C ... +80°C.

For type: **CLM-40 CAN**



HUB HB-485

For connection more level meters ULM with unit FCU. Cable glands for protective hose. Possibility of connection to 4 level meters of ULM series with output RS 485. Plastic box with IP 65.



NON-HERMETIC (VENTED) JUNCTION BOX NB-01

For termination of hydrostatic level meter cable with compensation capillary and its electrical connection with the supply cable. Includes membrane for input of atmospheric pressure with protection against moisture. Protection class IP65.

NB-01 – version without overvoltage protection

NB-11 – version with overvoltage protection

Material: PBT (Polybutylen terephthalat)

For type: **HLM-16N; HLM-25N; HLM-25S; HLM-25C;**
HLM-35

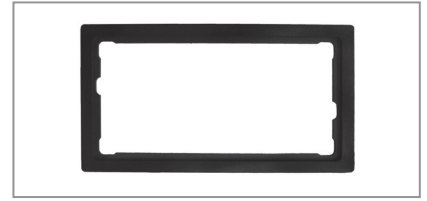


ADDITIONAL FRAME FOR PDU DISPLAY UNITS

Increases the protection rating level of the front panel displays from IP40 to IP65.

Material: plastic

For type: PDU-420-P; PDU-421-P; PDU-440-P



MAGNETIC PEN MP-8

For parameters setting of limit level sensors. Length 50 mm, diameter 8 mm.

For type: CLS-23; CLS-53; DLM-35; DLS-35; GPLS-25;
RFLS-35; TFS-35; ULM-53_--M-;
ULS-53_--M-; HLM-35; CLM-40



DUST-TIGHT BUSHING PR-31

Part of the anchoring mechanism on CLM water level meters, is used for fastening and the passage of the electrode of the anchor rod through the outer wall of the tank. The external part is welded into the diagonal bottom wall of the tank (silo). It is appropriate to use the disassemblable dust proof grommet PR-31 when measuring fine **loose materials and powder materials**.

Material: W. Nr. 1.4301 (AISI 304) – Inner part
W. Nr. 1.0038 (AISI 1020) – Outer part

For type: CLM-36_-31



ANCHOR WELDING CYLINDER KV-31

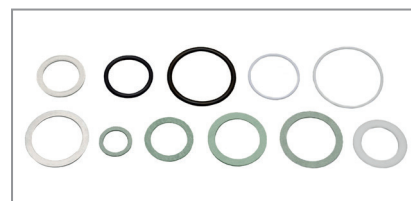
Part of the anchoring mechanism on CLM water level meters, is used for fastening and the passage of the anchor rod through the outer wall of the tank. The external part is welded into the diagonal bottom wall of the tank (silo). It is appropriate to use the KV-31 non-disassemblable anchoring roll when measuring **coarser loose materials** (granulates).

Material: W. Nr. 1.0038 (AISI 1020)

For type: CLM-36_-31



SEALS AND GASKETS



STANDARD TYPES OF GASKETS

Type	For sensors	Process connection	Outer dia / inner dia / thickness	Material
TES-G3/8	CLS-23; CNP-18	G3/8"	24 / 16,5 / 2 mm	AFM 38
TES-M18x1,5	CLS-23; CNP-18	M18x1,5	24 / 18 / 2 mm	AFM 38
TES-M20x1,5	CLS-23	M20x1,5	27 / 20 / 2 mm	AFM 38
TES-G1/2	CLS-23; CNP-18; RFLS-35; TFS-35	G1/2 "	27 / 21 / 2 mm	AFM 38
TES-G3/4	DLS-35; DLM-35; HLM-35; RFLS-35; DLS-27	G3/4"	36 / 26 / 2 mm	AFM 38
TES-M27x2	DLS-35; DLM-35; HLM-35; RFLS-35; DLS-27	M27x2	36 / 27 / 2 mm	AFM 38
TES-M30x1,5	DLS-35; DLM-35; DLS-27	M30x1,5	40 / 30 / 2 mm	AFM 38
TES-G1	CLM-36; GRLM-70; DLM-35; DLS-35; CLM-40; TN-28	G1"	43 / 33 / 2 mm	AFM 38
TES-M36x2	CLM-36	M36x2	46 / 36 / 2 mm	AFM 38
TES-G1/2-1	TFS-35	G1/2"	27 / 21 / 1 mm	AFM 38
TES-G3/4-34	DLS-35_-25; DLM-35_-25	G3/4"; M27x2	36 / 26,5 / 2 mm	AFM 34
TES-P55	TN-28	flange	43 / 29 / 2 mm	AFM 38

The gaskets are supplied with individual sensors.

OPTIONAL TYPES OF GASKETS (WITH EXTRA CHARGE)

Type	For sensors	Process connection	Outer dia / inner dia / thickness	Material
TES-M27x2-AL	DLS-35; DLM-35; HLM-35; RFLS-35; DLS-27	M27x2	36 / 27 / 2 mm	Aluminium
TES-M36x2-AL	CLM-36	M36x2	46 / 36 / 2 mm	Aluminium
TES-G3/8-AL	CLS-23; CNP-18	G3/8"	24 / 17 / 2 mm	Aluminium
TES-CLM-40	CLM-40	flange	65 / 40 / 3 mm	rubber NBR
TES-CLM-40-SI	CLM-40	flange	65 / 40 / 3 mm	silicone

Gaskets from other materials (pressure and temperature more resistant gaskets, PTFE or aluminium gaskets) may be supplied upon request.

PRESSURE RESISTANCE OF SEALS AFM 38

Medium	Temperature					
	-50 °C	0 °C	50 °C	100 °C	150 °C	200 °C
water, steam, water solutions	1,6 MPa (16 bar)	4,0 MPa (40 bar)	4,0 MPa (40 bar)	1,6 MPa (16 bar)	0,6 MPa (6 bar)	0 MPa (0 bar)
oil, fats	2,5 MPa (25 bar)	4,0 MPa (40 bar)	4,0 MPa (40 bar)	2,5 MPa (25 bar)	1,6 MPa (16 bar)	0,6 MPa (6 bar)
petroleum products, solvents	1,0 MPa (10 bar)	1,6 MPa (16 bar)	1,6 MPa (16 bar)	1,0 MPa (10 bar)	0,6 MPa (6 bar)	0 MPa (0 bar)

PRESSURE RESISTANCE OF SEALS AFM 34

Medium	Temperature					
	-50 °C	0 °C	50 °C	100 °C	150 °C	200 °C
water, steam, water solutions	6,4 MPa (64 bar)	9,0 MPa (90 bar)	9,0 MPa (90 bar)	7,5 MPa (75 bar)	5,0 MPa (50 bar)	2,5 MPa (25 bar)
oil, fats	6,4 MPa (64 bar)	10,0 MPa (100 bar)	10,0 MPa (100 bar)	9,0 MPa (90 bar)	7,0 MPa (70 bar)	3,5 MPa (35 bar)
petroleum products, solvents	4,0 MPa (40 bar)	6,4 MPa (64 bar)	6,4 MPa (64 bar)	5,0 MPa (50 bar)	3,0 MPa (30 bar)	1,6 MPa (16 bar)
acids, alkaline liquids, etc.	1,6 MPa (16 bar)	2,5 MPa (25 bar)	2,5 MPa (25 bar)	2,0 MPa (20 bar)	1,6 MPa (16 bar)	0 MPa (0 bar)

Version: 04/2021