

- For limit level detection of liquids
- Media temperature up to +130°C
- Simple assembly, long service-life
- Housing and electrode is from stainless steel
- Designed with short bar electrode or dismountable rod electrode



Conductive probes CNP-18 are designed for direct detection of conductive liquids level (water, water solutions). The process connection is M18x1.5 threaded connection, and electrical by fixed cable or screw connector. The probes are connected to Dinel evaluation unit, type CDSU-522 (CDSU-522-W), or other types of evaluation units suitable for connection of the conductive sensors.

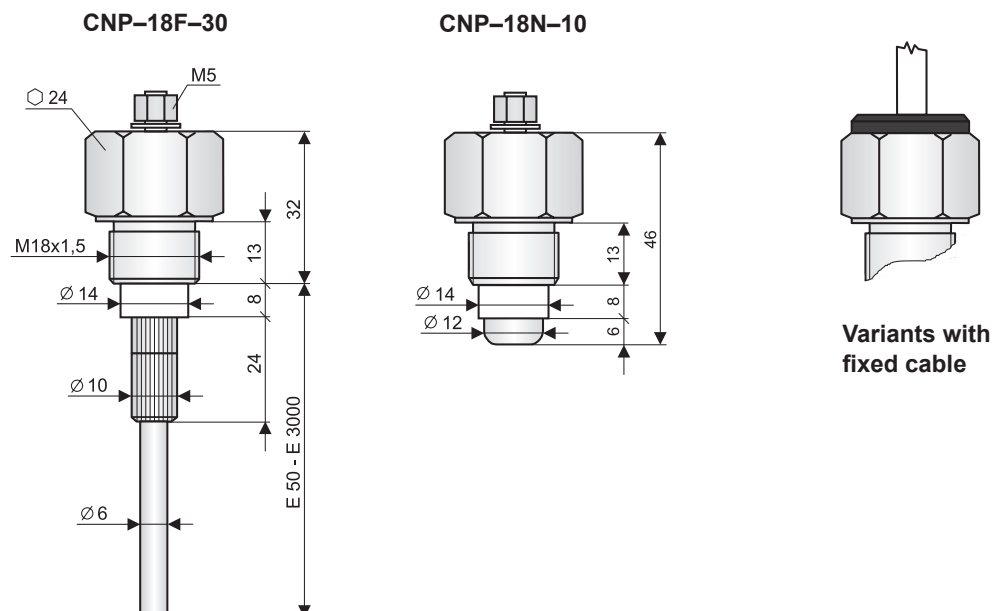
FEATURES OF VARIANTS

- CNP-18N-10** Short bar electrode for horizontal mounting, fixed cable
- CNP-18F-10** Short bar electrode for horizontal mounting, screw connector
- CNP-18N-30** Dismountable rod electrode (from 50 up to 3000 mm) for vertical mounting, fixed cable
- CNP-18F-30** Dismountable rod electrode (from 50 up to 3000 mm) for vertical mounting, screw connector

TECHNICAL SPECIFICATION

Ambient temperature		Max. 95°C
Maximum pressure	For 25°C For 95°C	4 MPa 1.5 MPa
Cable	CNP-18N CNP-18F	PVC 2x 0.75 mm ² (Screw connector)
Insulation bushing		PTFE (Polytetrafluorethylene)
Protection class (CNP-18N)		IP67
Housing material		St. steel W.Nr. 1.4305 (AISI 303)
Weight		Approx. 100 g

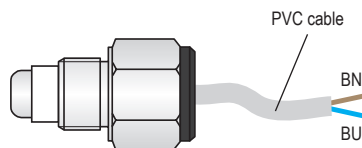
DIMENSIONAL DRAWINGS



ELECTRICAL CONNECTION

Variants "CNP-18N" are manufactured with 2-wire fixing cable. Housing probe is electrically connected to blue conductor (BU), probe electrode is electrically connected to brown conductor (BN). Probe variants CNP-18F are manufactured with screw connector electrically connected to housing.

For evaluation of the states of conductive probes we recommend using Dinel Level control relay units (CDSU-522 or CDSU-522-W).



Legend:
BN – Brown
BU – Blue

Fig. 1: CNP-18N cable connection

ACCESSORIES

Standard (included in the conductive probe price)

- 2 m cable (only for CNP-18N)

ORDER CODE

PRODUCT	
CNP-18	
PERFORMANCE TYPE	
N	fixed cable
F	screw connector M5
ELECTRODE TYPE	
10	bar electrode, length 14 mm
30	dismountable rod electrode, length 50 ... 3000 mm
PROCESS CONNECTION	
M18	metric thread M18 x 1,5
G12	závit G 1/2"
G38	závit G 3/8"
LENGTH OF ELECTRODE	
E	length of electrode in mm
CABLE	
K	cable length in m
CNP-18 N - 30 - M18 E1200 KABEL 3 M	
AVAILABLE PRODUCT ALTERNATIVES	

CORRECT SPECIFICATION EXAMPLES

CNP-18N-10-M18 cable 10 m

(**N**) Fixed cable (length 10 m); (**10**) Bar electrode (length 14 mm); (**M18**) Process connection with metric thread M18x1.5

CNP-18F-30-M18 E450

(**F**) Screw connector M5; (**30**) Dismountable rod electrode (length 450 mm); (**M18**) Process connection with metric thread M18x1.5

CNP-18N-30-M18 E1200 cable 3 m

(**N**) Fixed cable (length 3 m); (**30**) Dismountable rod electrode (length 1200 mm); (**M18**) Process connection with metric thread M18x1.5

Version 03/2020