

Features

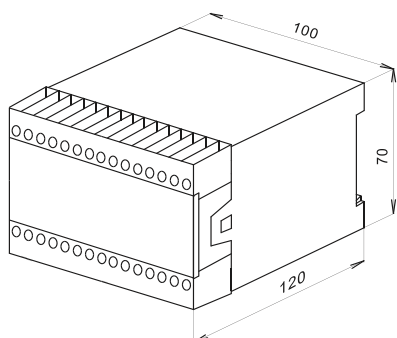
- universal stabilized power supply for industrial applications (supplying various sensors and transducers, switch and control systems, indicators, relays etc.)
- total efficiency better than 80%
- current overload and short circuit protection
- safety requirements according to EN 61010-1
- LED indication of power and short - circuit
- mounting into an installation case or distribution cabinet on DIN rail 35 mm



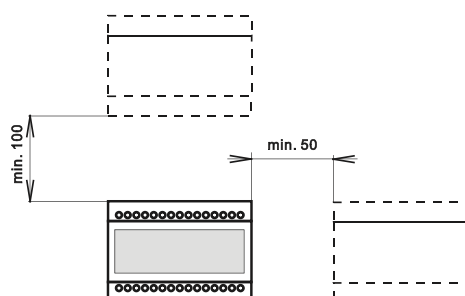
Technical data

Typ	SPSU-2400-20	SPSU-1200-35
Nominal supply voltage	230 V / 50 Hz	
Allowed supply voltage tolerance	± 10%	
Nominal power demand	60 VA	
Output voltage	24 V DC (0,5 %)	12 V DC (0,5 %)
Stability of output voltage at 0 ÷ 2 A / 0 ÷ 3,5 A	0,5 %	
Max. output current	2,0 A	3,5 A
Output short circuit current	type 2,8 A	type 4,5 A
Max. duration of output short-circuit	unlimited	
Total interference voltage (peak to peak)	max. 150 mV	
Electric strength - mains 230 V - output 12 / 24 V	4 kV	
Ambient temperature	-20°C to + 60 °C	
Protection degree: - box - terminals	IP 40 IP 20	
Housing material	polycarbonate	
Terminal material	CuBe	
Max. / recommended conductor cross-section	4 mm ² / 0,5 ÷ 1 mm ²	
Weight	c. 1,25 kg	
Internal protection on 230 V side by fuse	T 800 mA	
Connection to 230 V mains only through a switch or circuit breaker		
2nd safety class electric installation		
Electrical safety requirements due to EN 61010-1		
EMC EN 55022 EN 61000-4-2, -3, -4, -5, -6, -8,-11		

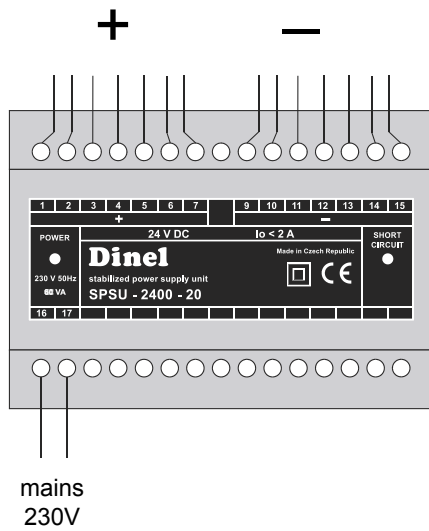
Dimension drawing



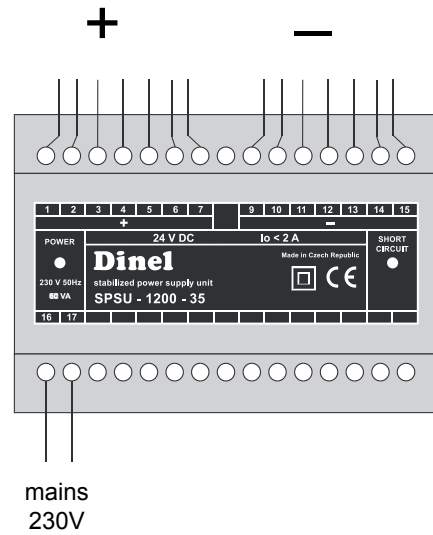
Mounting space demands



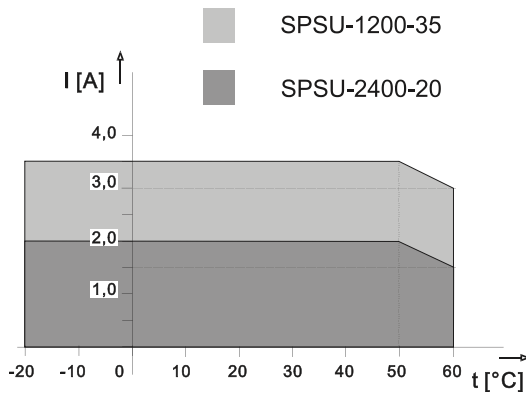
Wiring of SPSU-2400-20



Wiring of SPSU-1200-35



Load characteristics



Function of signal LED

- green LED - "POWER" - operation without failures
- red LED - "SHORT CIRCUIT" - short circuit or overload