

# TN-28

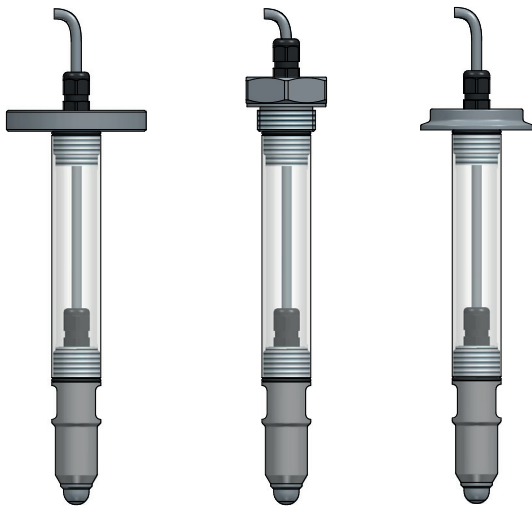
# Dinel®

## TUBULAR EXTENDER

Accessories for RFLS-28  
high-frequency level sensors



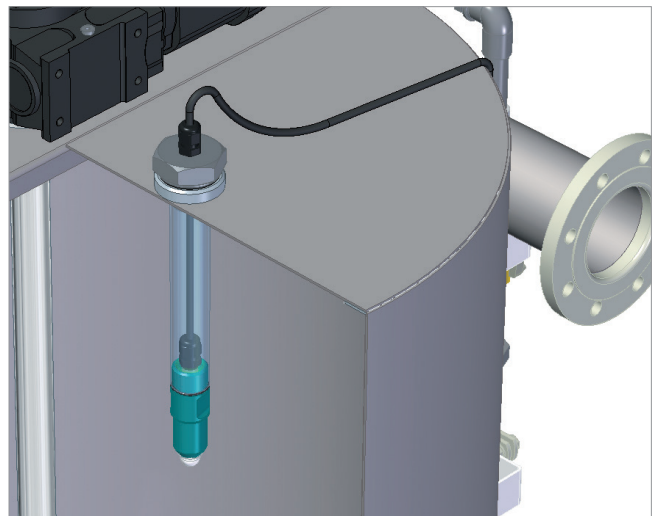
CE



flange

G1" thread

Tri-Clamp



- The tubular extender is used for vertical mounting of the RFLS-28 sensor in tanks, vessels and sumps
- Choice from three types of process connection: flange, G1" thread or Tri-Clamp

### Standard material performance

Tube 28 x 2.5		stainless steel W. No. 1.4404 (AISI 316 L)
Process connection	Flange mounting	stainless steel W. No. 1.4301 (AISI 304)*
	G1" thread	stainless steel W. No. 1.4301 (AISI 304)*
	Tri-Clamp	stainless steel W. No. 1.4404 (AISI 316 L)
Seal under flange / threaded mounting		AFM 38
O-ring		NBR / EPDM / FPM
Cable gland		PA / NBR plastics
Minimum tubular extender length		50 mm
Maximal tubular extender length		3000 mm**

\* By agreement, it is possible to choose stainless steel W. No. 1.4404 (AISI 316 L).

\*\* If there is a stirrer in the tank, it is necessary to consult the length of the tubular extender with the manufacturer.

# PROCESS CONNECTION OF TUBULAR EXTENDER

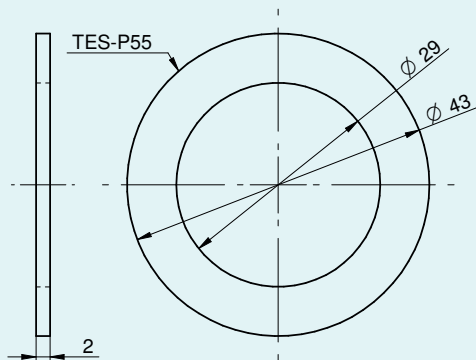
TN-28-P (flange)	TN-28-Z (G1" thread)	TN-28-CL (Tri-Clamp)
<p>* If there is a stirrer in the tank, it is necessary to consult the length of the tubular extender with the manufacturer.</p>		<p>We also offer the option of flanges made-to-order.</p>

## TYPES OF CABLE GLANDS

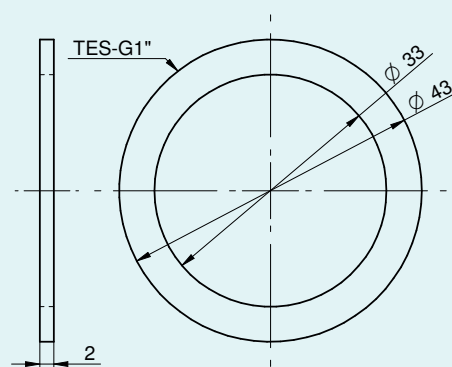
B	V	H
<p>with a standard cable gland</p>	<p>with a plastic cable gland with spiral relief – for cables under an increased mechanical stress</p>	<p>with a cable gland for protecting hoses – for use outdoors or in places with high humidity</p>

# SEAL

## under flange



## under threaded mounting



## ORDER CODE

TN-28

### PROCESS CONNECTION

- P** flange, 1 pc gasket AFM (included)
- Z** G1" thread, 1 pc gasket AFM (included)
- CL** Tri-Clamp

### O-RING

- B** NBR O-ring
- E** EPDM O-ring
- V** FPM O-ring

### ELECTRICAL CONNECTION

- B** plastic cable gland
- V** cable gland with spiral
- H** cable gland for protecting hose

### TUBE LENGTH

- L** length in mm

TN-28 - P - B - B - L300

EXAMPLE OF CODING

**Dinel, s. r. o.**  
 U Tescomy 249, 760 01 Zlín, Czech Republic  
 tel.: +420 577 002 003  
 email: sale@dinel.cz

[www.dinel.cz](http://www.dinel.cz)

version:  
03/2021

